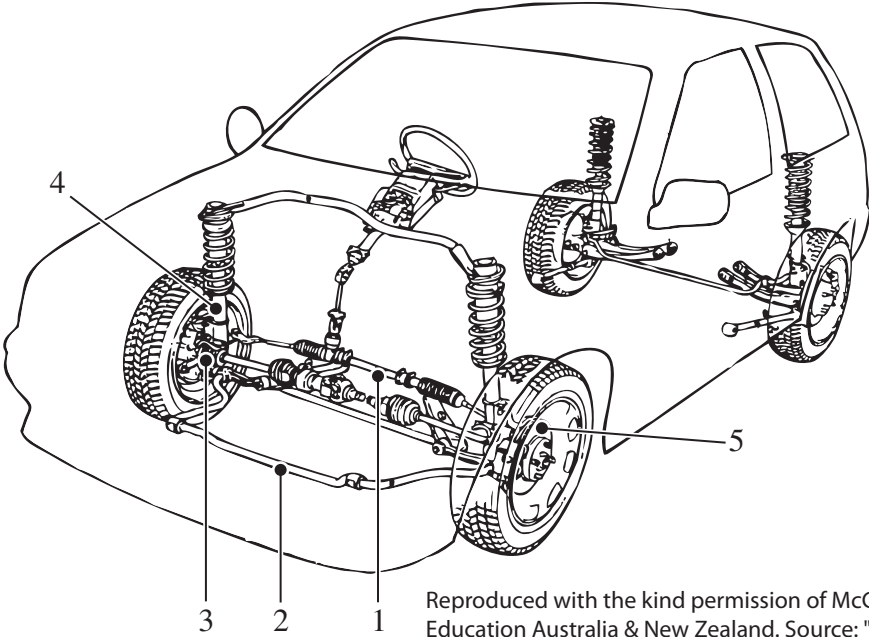


**Question 18 (8 marks)**



Reproduced with the kind permission of McGraw-Hill Education Australia & New Zealand. Source: "Automotive Mechanics", 7th edition, Ed May & Les Simpson, page 395.

(a) Complete the table below, naming each numbered component and describing its function.

**5**

Name	Function
1.	
2.	
3.	
4.	
5.	

**Question 18 continues on page 12**

Question 18 (continued)

- (b) A customer complains that the car battery is constantly running flat.

**3**

In the table below, list **THREE** possible faults in the charging system that could be causing the problem. Name the test that you would perform for each fault identified.

Possible fault	Test to perform

**End of Question 18**