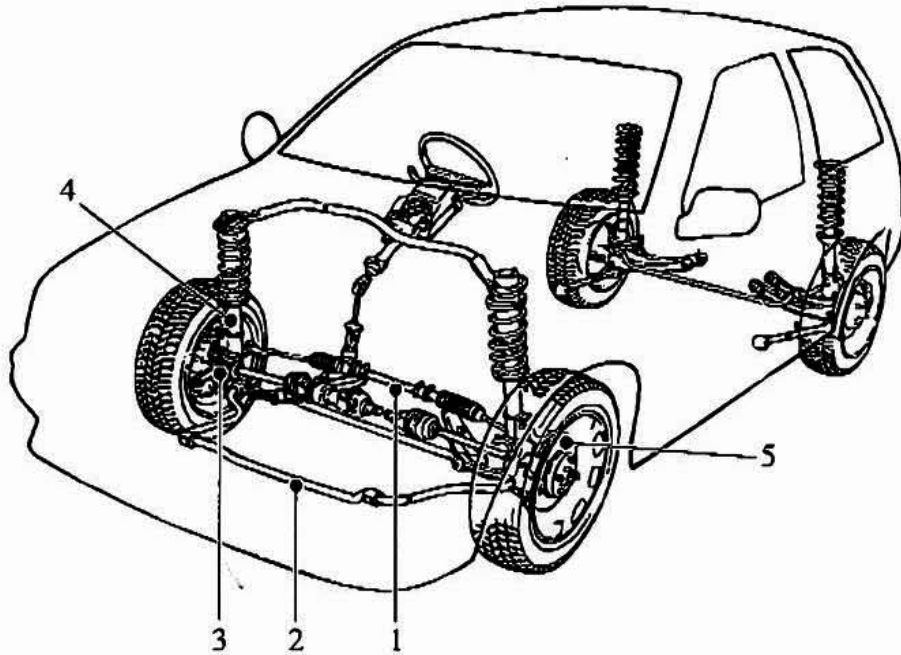


Question 18 (8 marks)



(a) Complete the table below, naming each numbered component and describing its function.

5

Name	Function
1. Cross member	holds the steering system at a right degree.
2. Disc pad Steering rack	used for turning the vehicle left and right.
3. BRAKE pad	used for stopping the vehicle.
4. Suspension	used for the impact of the tyres to go up causing it not to crack the chassis.
5. Disc pad	used for the brakes to slow/stop the vehicle.

Question 18 continues on page 12

Question 18 (continued)

- (b) A customer complains that the car battery is constantly running flat.

3

In the table below, list THREE possible faults in the charging system that could be causing the problem. Name the test that you would perform for each fault identified.

Possible fault	Test to perform
Alternator	test ^{test} the voltage it lets out and is it constant
BATTERY water level	is there water in the battery to create the current.
COIL	test the coil if it is making the 12v in 2000v and charging the Alternator for it to charge the battery.

End of Question 18