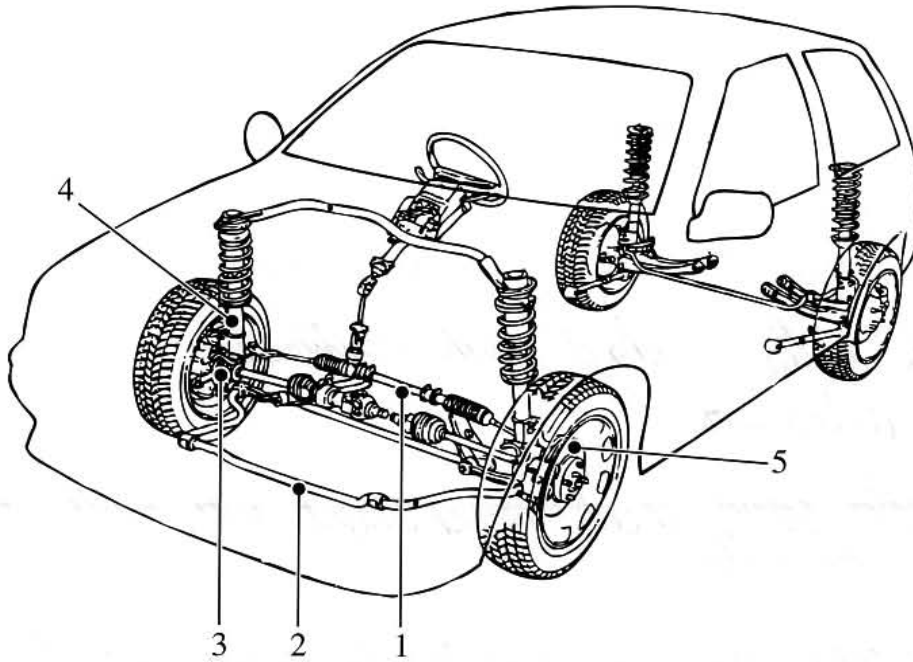


Question 18 (8 marks)



(a) Complete the table below, naming each numbered component and describing its function.

5

Name	Function
1. steering rack	allows the wheels to change direction under control of the driver
2. Idler arm	ensures the wheels stay rigid in position & allows extra angle for corners
3. CV joint	transfers power to the wheels even when turning on front wheel drive vehicles
4. shock shock absorber	absorbs shock from the suspension to allow a smoother ride
5. disc brake rotor	gripped by brake caliper to allow the car to slow & stop

Question 18 continues on page 12

Question 18 (continued)

- (b) A customer complains that the car battery is constantly running flat.

3

In the table below, list THREE possible faults in the charging system that could be causing the problem. Name the test that you would perform for each fault identified.

Possible fault	Test to perform
<i>break in the circuit/bad earth</i>	<i>check with multimeter</i>
<i>alternator could be damaged/faulty</i>	<i>check power output with multimeter</i>
<i>battery may have low levels/be dead</i>	<i>visual inspection to assess condition of battery.</i>

End of Question 18