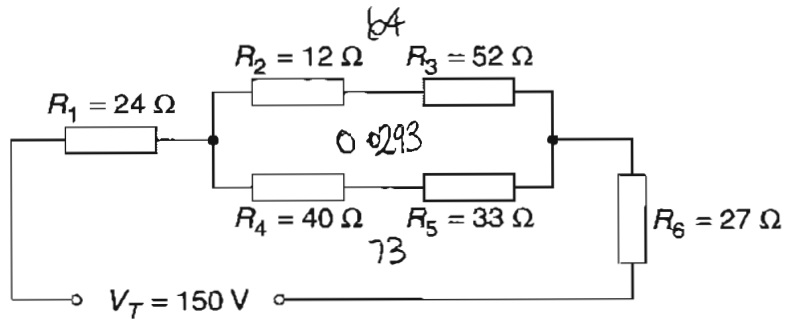


Question 24 (3 marks)

Calculate the total resistance of the electrical circuit shown. Show all your working in the space provided.

3



$$R_2 + R_3 = 12\Omega + 52\Omega = 64\Omega, R_4 + R_5 = 40\Omega + 33\Omega = 73\Omega$$

$$\frac{1}{64} + \frac{1}{73} = 0.0293$$

$$24\Omega + 27\Omega + \frac{1}{0.0293} = 51.0293\Omega$$

$$R_T = 51.0293\Omega$$

